

High-Flow VANGUARD Externally Piloted Regulators

PR180M Models Port Sizes: 3/4, 1, 1-1/4, 1-1/2



Model Shown: PR180M-6G

- ◆ Inline mounting.
- ◆ Diaphragm-type design.
- ◆ Self-relieving.
- ◆ Pressure gauge.
- ◆ **NPTF** port threads; optional **BSPP** threads.
- ◆ @ 80 psi with 15 psi back pressure the relief is 6.25 scfm - Needs control regulator that relieves more than this.

Note: Pilot (control) regulators (order seperately).

- ◆ General purpose applications order R56M-2, R60-2, R67-2, R100-2, or R380-3
- ◆ Precision applications order IR100-2, R57M-2, IR380-3 or ER valve

SPECIFICATIONS

Ambient/Media Temperature:

40° to 175°F (4° to 79°C).

Body: Aluminum.

Dome: Zinc.

Fluid Media: Compressed air.

Inlet Pressure: 300 psig (21 bar) maximum.

Outlet Pressure: 0 to 200 psig (0 to 14 bar).

NOTE: Outlet pressure depends on the selection of the pilot regulator.

Pilot Ports: 1/4 NPTF.

Pressure Gauge: 0 to 200 psig (14 bar); 1/4 NPT gauge ports front and rear.

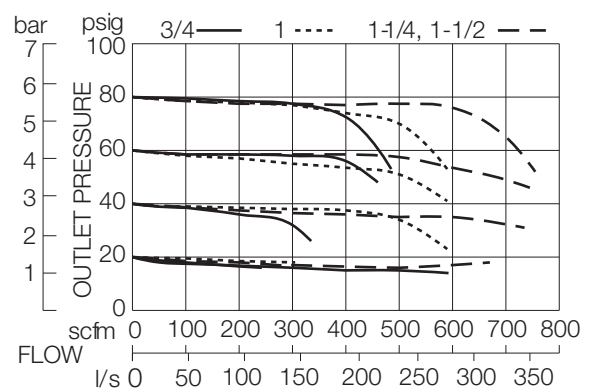
Seals: Nitrile.

Valve: Aluminum.

Valve Cap: Nylon.

FLOW CHART

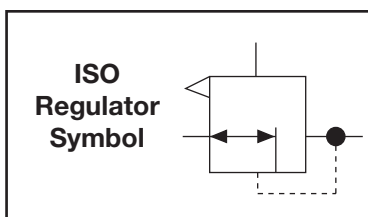
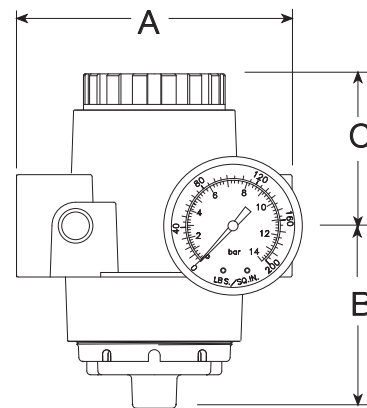
Inlet Pressure: 100 psig (7 bar)



DIMENSIONS inches (mm)

Ports	A	B	C	Depth †	Weight † lb (kg)
3/4 1	4.4 (111)	2.9 (74)	2.4 (62)	2.8 (71)	1.88 (0.85)
1-1/4 1-1/2	4.9 (124)	3.2 (81)	2.1 (54)	2.8 (71)	2.25 (1.02)

† Less gauge.



ORDERING INFORMATION

Change the letters in the sample model number below to specify the regulator you want.

NOTE: Order a pilot operator such as **R55-2**, **R56-2**, or **IR100-2** separately.

PR180M - 6 Y G W

<p>PORT SIZE</p> <p>3/4 NPTF 6</p> <p>1 NPTF 8</p> <p>1-1/4 NPTF 10*</p> <p>1-1/2 NPTF 12*</p>	<p>Y</p>	<p>G</p>	<p>W</p>	<p>PORT TYPE</p> <p>NPTF threads Leave Blank</p> <p>BSP threads W</p> <p>OPTION</p> <p>None Leave Blank</p> <p>0-200 PSI Gauge G</p> <p>OPTION</p> <p>None Leave Blank</p> <p>Non-relieving A</p>
---	-----------------	-----------------	-----------------	--

* No mounting bracket available.