

GUARDSMAN II Modular Lubricators

BL70D Models Port Sizes: 1/4, 3/8, 1/2



Model Shown: BL70D-2

- ◆ Modular or inline mounting.
- ◆ Aluminum bowl with clear nylon sight glass. Bowl can be rotated for easy readability. Optional extended bowl.
- ◆ Sight-feed design.
- ◆ External adjusting knob; removable for tamper resistance.
- ◆ NPTF port threads; optional BSPP threads.

SPECIFICATIONS

Ambient/Media Temperature:

40° to 175°F (4° to 79°C).

Body: Zinc.

Bowl:

6-Ounce (180-ml) capacity aluminum bowl with clear nylon sight glass. Bowl can be rotated for easy readability. Optional 10-ounce (300-ml) extended aluminum bowl.

Bowl Ring: Nylon:

Fluid Media: Compressed air.

Inlet Pressure:

200 psig (14 bar) maximum.

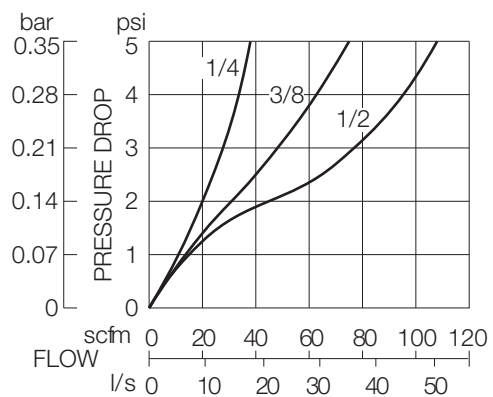
Oil Adjustment: External, tamper-resistant.

Seals: Nitrile.

Sight Dome: Nylon.

FLOW CHART

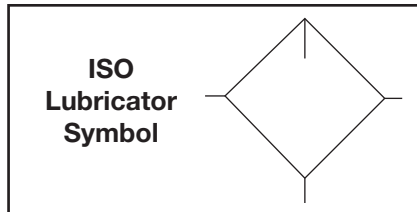
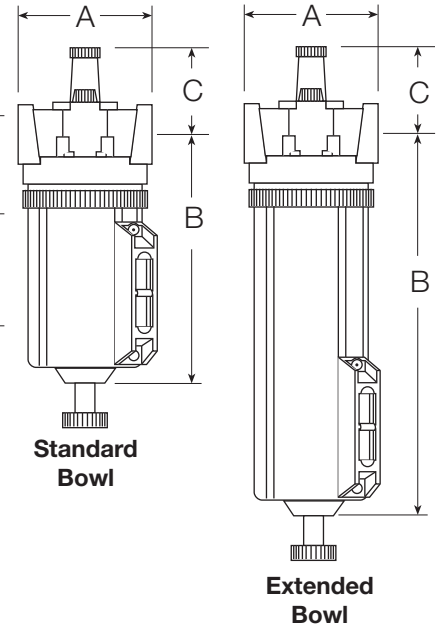
Inlet Pressure: 100 psig (7 bar)



Minimum Flow: 2 scfm (0.94 l/s)

DIMENSIONS inches (mm)

| Bowl | A | B | C | Depth | Weight lb (kg) |
|----------|----------|-----------|----------|----------|-------------------|
| Standard | 2.7 (67) | 5.9 (151) | 1.8 (46) | 2.4 (60) | 1.25 (0.57) |
| Extended | 2.7 (67) | 8.9 (227) | 1.8 (46) | 2.4 (60) | 1.50 (0.68) |



ORDERING INFORMATION

Change the letters in the sample model number below to specify the lubricator you want.

BL 70D - 2 Y W

BOWL SIZE

- Standard 6-ounce bowl 70D
- Extended 10-ounce bowl 70DH

PORT SIZE

- 1/4 NPTF..... 2
- 3/8 NPTF..... 3
- 1/2 NPTF..... 4

PORT TYPE

- NPTF threads Leave Blank
- BSPF threads W

OPTIONS

- None Leave Blank
- Quick-fill Q-cap..... Q