

# SERV-OIL Multiple-Point Injection Lubricators

## Series 710, 720



Model Shown: 71003104B

Up to 10 Servo-Meters can be assembled to make up a multiple point lubricator (**MPL**). Assembled **MPLs** can be ordered, or they can be assembled by the user employing the Servo-Meter and Assembly/Mounting Kits shown on the facing page. Master Pneumatic recommends that you order factory-assembled **MPLs**. The cost is economical, your installation time is greatly reduced, and you are assured of reliable performance because both the components and the assemblies have been factory-tested.

The frequency of oil injection can be controlled by using one of the pulse counters or frequency controllers detailed on page 200.

Series 710 factory assemblies employ two mounting holes. When a very rigid mounting is needed, order Series 720 which employs heavy-duty mounting plates with four mounting holes.

## SPECIFICATIONS

**Ambient/Media Temperature:**

40° to 125°F (4° to 52°C).

**Controller:** See page 200 for the various types of controllers available.

**Operating Pressure:** 60-150 psig (4.1-10.3 bar).

**Reservoir:** See page 222 for the various types of reservoirs available.

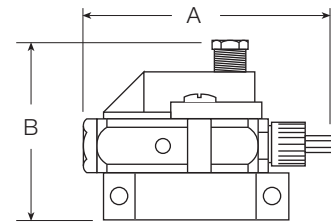
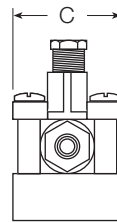
**Servo-Meter:** Brass body; optional Aluminum and Nickel plated housings; acetal end caps. 1-Drop rating; optional 1/2-drop or 2-drop rating. Minimum operating air pressure: 60 psig (4 bar).

**Oil Viscosity Range:** 31-1000 @ 100°F (37.8°C)

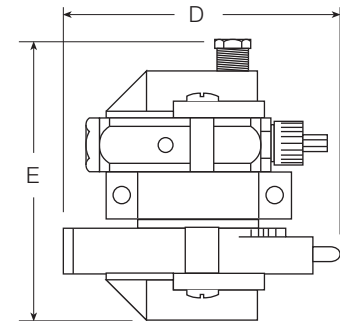
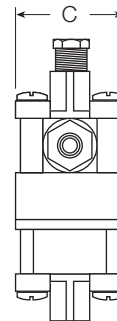
**DIMENSIONS** inches (mm)

A	B †	C	D	E †
3.9 (99)	2.5 (64)	1.8 (46)	4.1 (104)	4.3 (109)

† Add 0.9 (23) for each additional Servo-Meter.



**Without Pulse Counter**



**With Pulse Counter**

**ORDERING INFORMATION**

Change the letters in the sample model number below to specify the MPL you want.

**710 01 05 4 B - Y W**

**MPL SERIES**

- Standard MPL assembly..... 710
- MPL assembly with heavy-duty mount..... 720

**NUMBER OF SERVO-METERS**

Specify by numerals from 01 to 10

**SERVO-METER RATING**

- Half drop ..... 05
- One drop ..... 10
- Two drops ..... 20

**SERVO-METER HOUSING MATERIAL**

- Brass housing ..... B
- Aluminum housing ..... A
- Nickel plated brass housing, ..... N
- clamp and mounting plate.

**PORT TYPE**

- NPTF threads ..... Leave Blank
- BSPB threads ..... W

**OPTIONS** (More than one option can be chosen. Add in alphabetical order)

- None ..... Leave Blank
- Servo-Meter shutoff ..... A
- Non-shutoff ..... Leave Blank
- Block plate; indicate position from top with \* ..... B\*
- Pulse counter
  - One ..... C
  - Two ..... CC
- Oil End Seals (Buna N standard)
  - EPR ..... E
  - Neoprene ..... N
  - Viton ..... V
- Frequency controller ..... F
- and one pulse counter
- Frequency controller only ..... F1